

Blow-down Tank

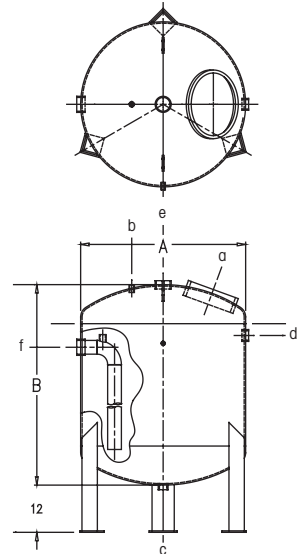


Our Blow-down tanks are designed and manufactured following ASME Section VIII, Div 1 and CSA B51 codes with 3/8" minimum plate thickness and has 1/8" corrosion allowance.

Our Blow-down tank design pressure is 75 psig for standard maximum boiler pressure of 250 psig. Larger sizes and selection for higher boiler pressures are available upon request.

Carbon steel is the standard material used for our Blow-down tanks. Stainless steel is available as an option

Discharge temperature controllers are available as an option.



Selection and Dimensions Table

Model	Maximum Boiler Capacity HP	Coil-tube Boiler Capacity HP	Dimensions*		Openings*						Weight lbs
			Diameter	Height	Inspection	Cold Water	Drain	Inlet	Vent	Outlet	
			A	B	a	b	c	d	e	f	
BDT1830	1 - 20	1 - 100	18	30	4 x 6	3/4	1-1/2	1-1/2	3	2	325
BDT2438	21 - 40	101 - 250	24	38	4 x 6	3/4	1-1/2	1-1/2	3	2	475
BDT3046	41 - 80	251 -	30	46	12 x 16	3/4	1-1/2	1-1/2	3	2	650
BDT3644	81 - 200		36	44	12 x 16	3/4	1-1/2	2	3	3	772
BDT3653	201 - 375		36	53	12 x 16	3/4	1-1/2	2	3	3	895
BDT4260	376 - 725		42	60	12 x 16	3/4	1-1/2	2	3	3	1150
BDT4869	726 - 3000		48	69	12 x 16	3/4	1-1/2	2	3	3	1433

*Measurements in inches



For more information, visit our website:
www.novathermboiler.com

Novatherm reserves the rights to review or modify the specifications and dimensions without prior notice and with no obligation.

Authorized distributor

